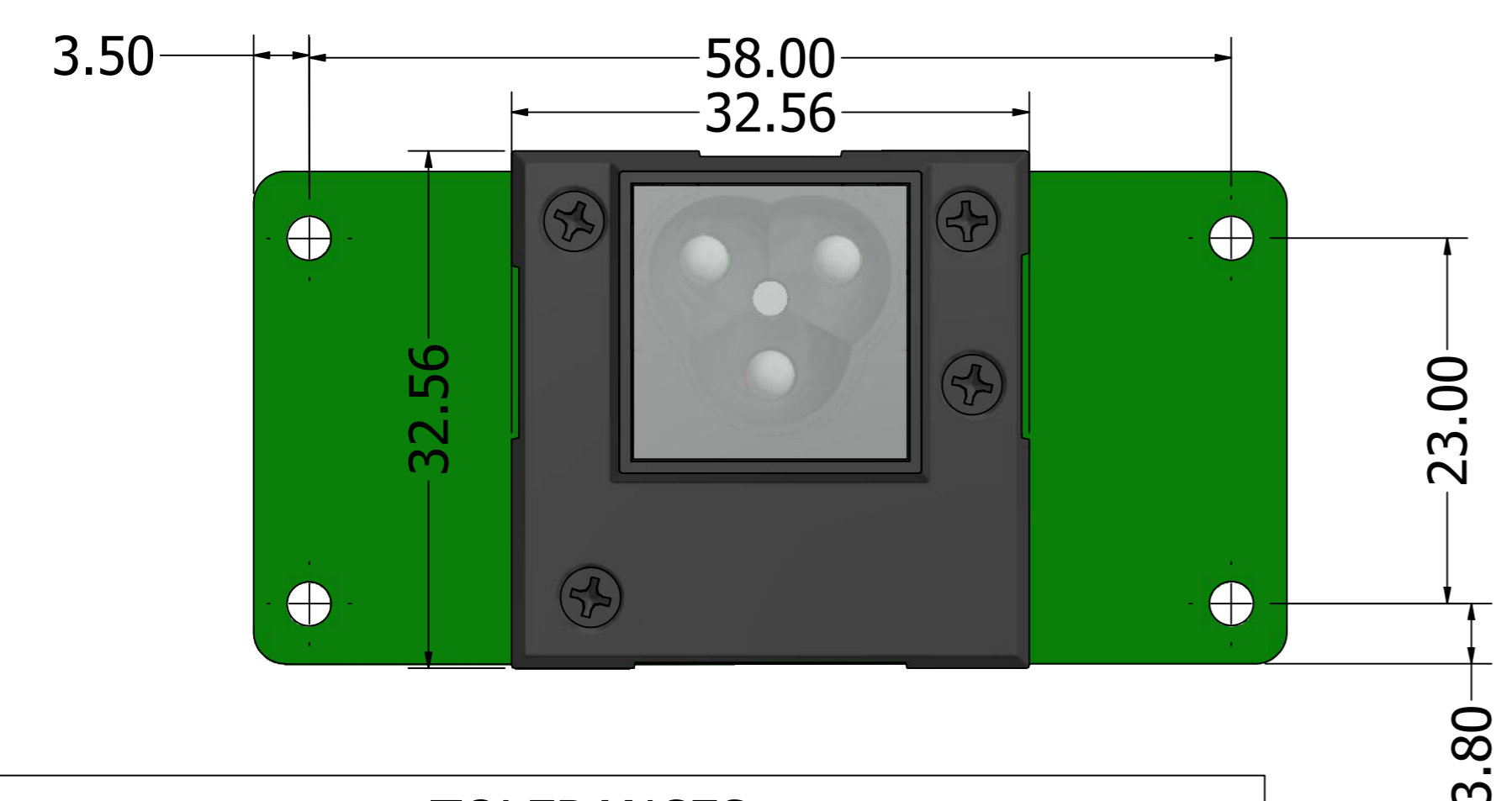
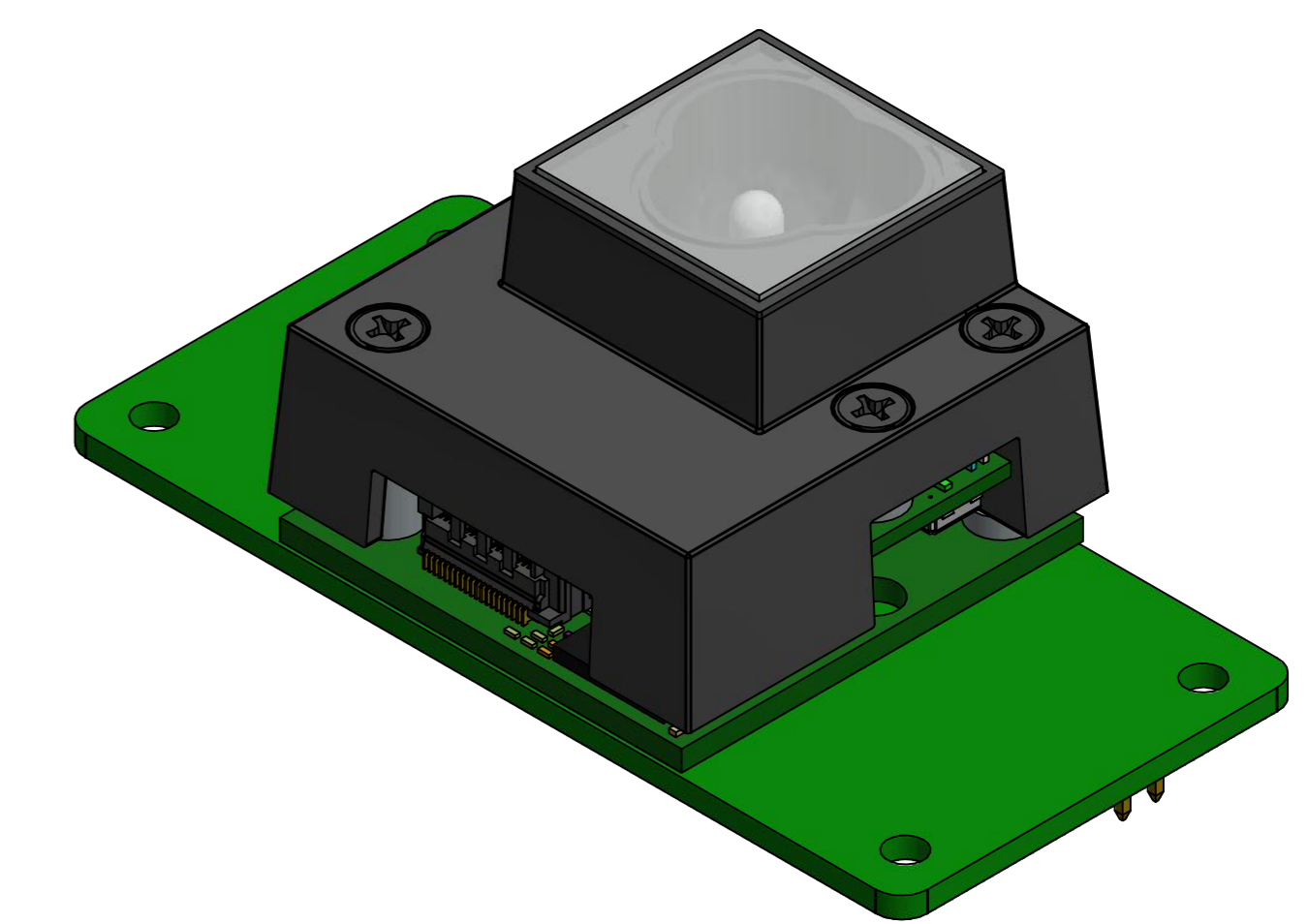
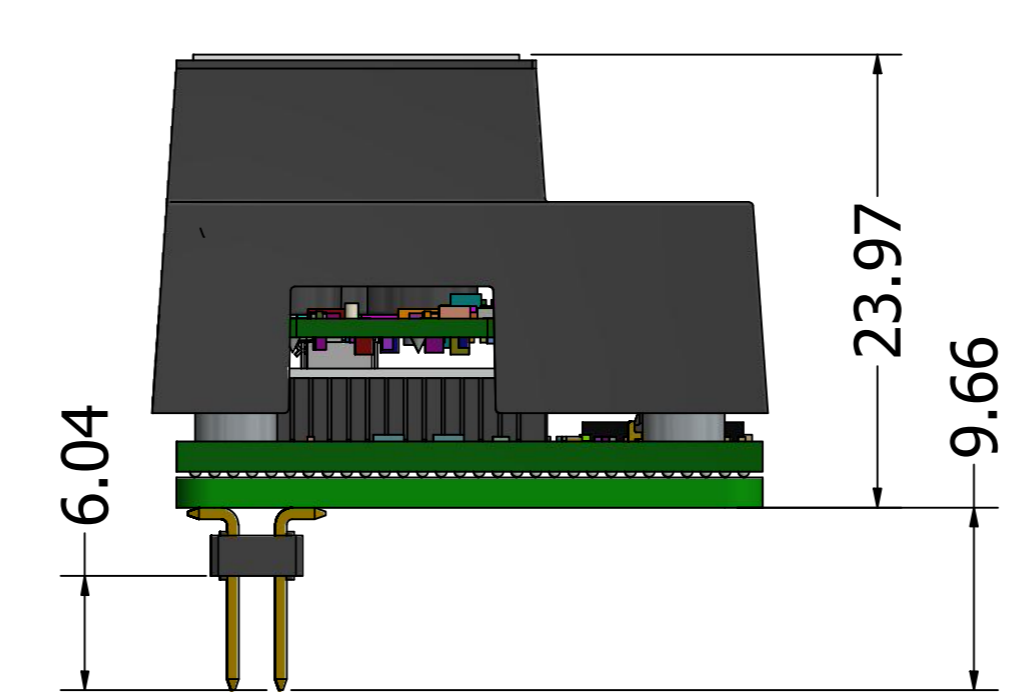
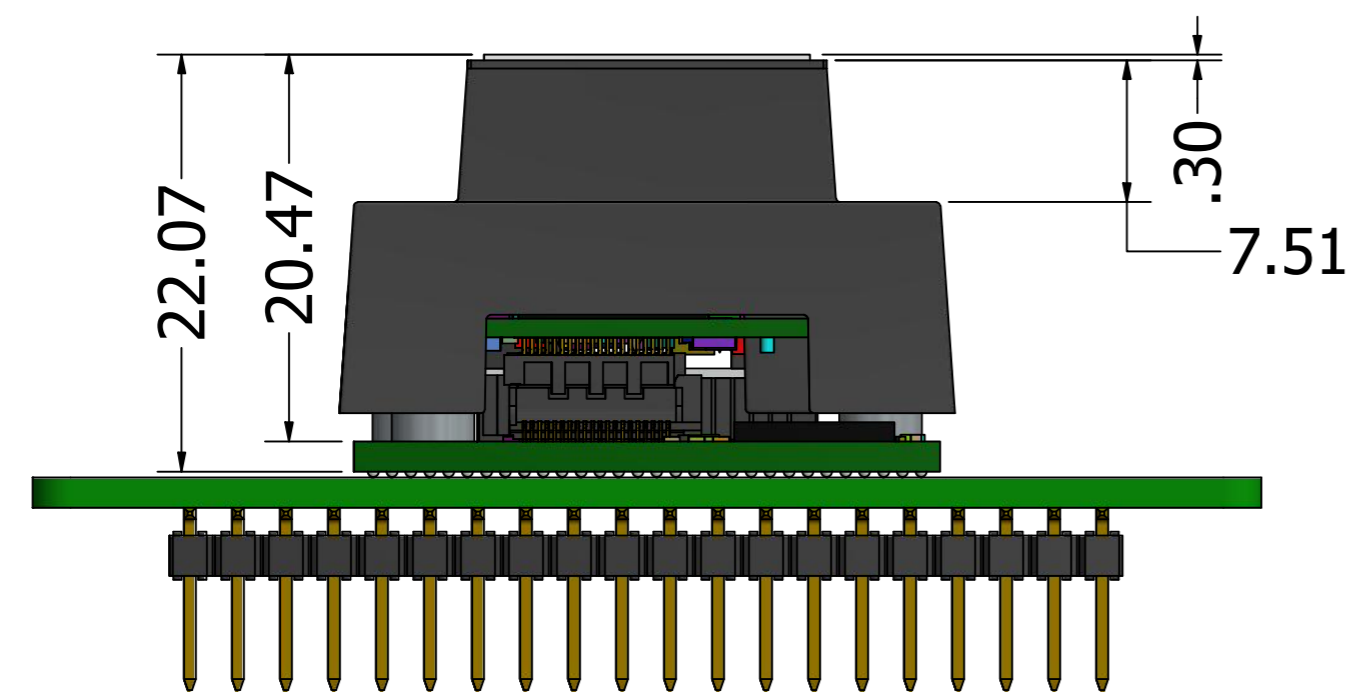
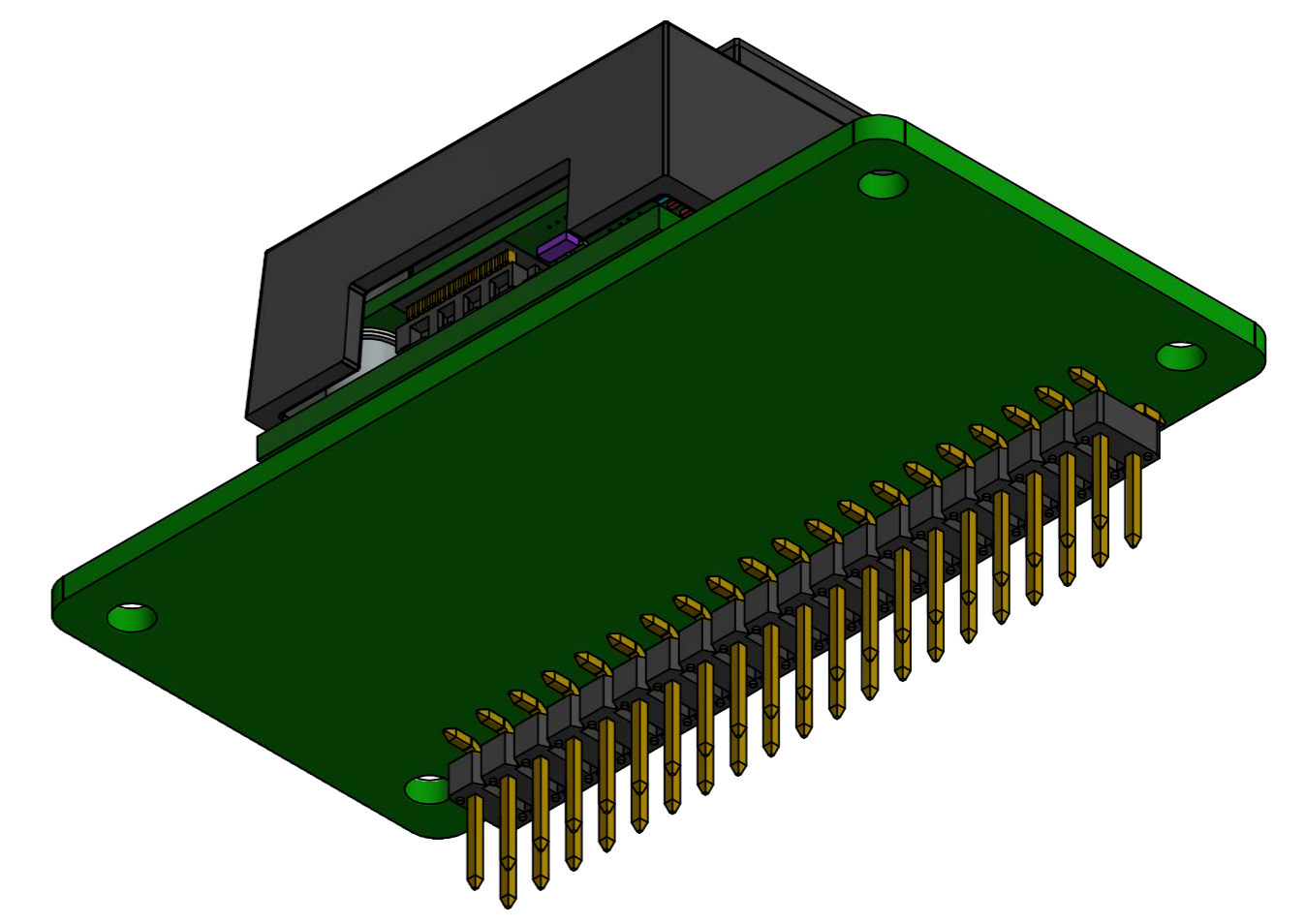
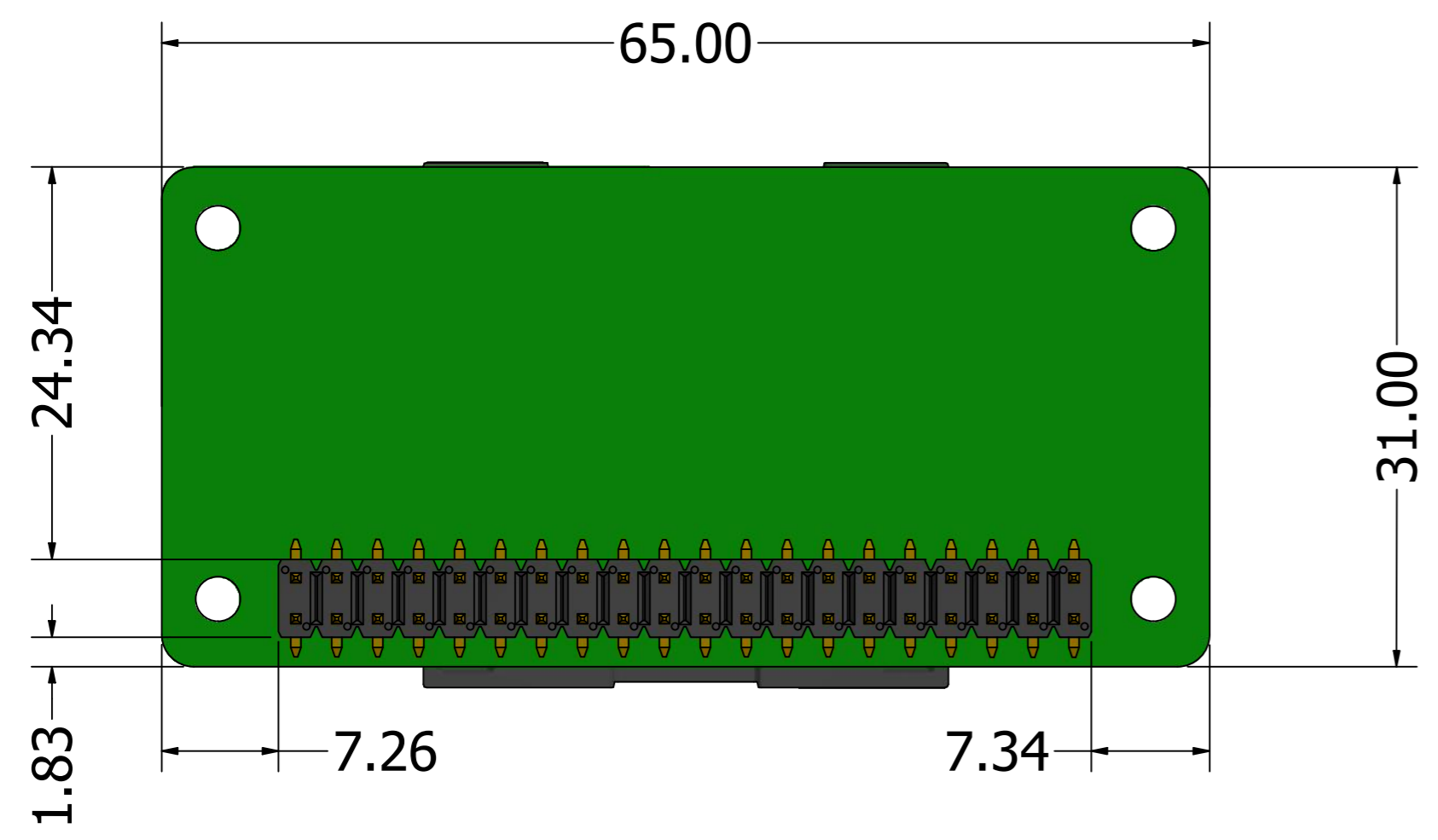


8 7 6 5 4 3 2 1



TOLERANCES				
X	X.X	X.XX	X.XXX	ANGLE
+/- 0.5	+/- 0.2	+/- 0.10	+/- 0.050	+/- 1 degree

3 Khaled Ibn Al Walid, Qism
El-Nozha, Cairo Governorate 11361
www.si-ware.com

Drawn By:	Tarek	Project:	Confidential and proprietary information		
Designed By:	Tarek	Revision Date	Dwg Number	Dwg Ver	Sheet
		June 2019	-----	V01	1 of 1

8 7 6 5 4 3 2 1